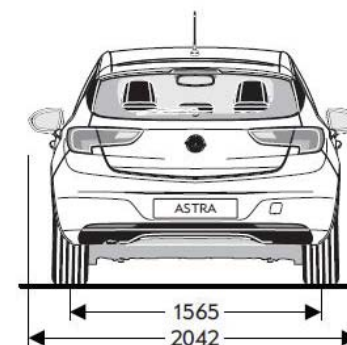
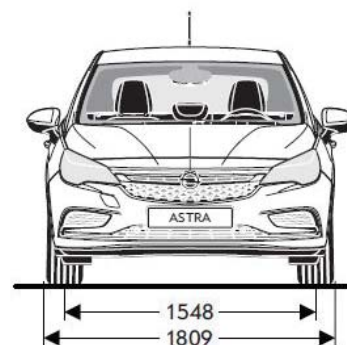
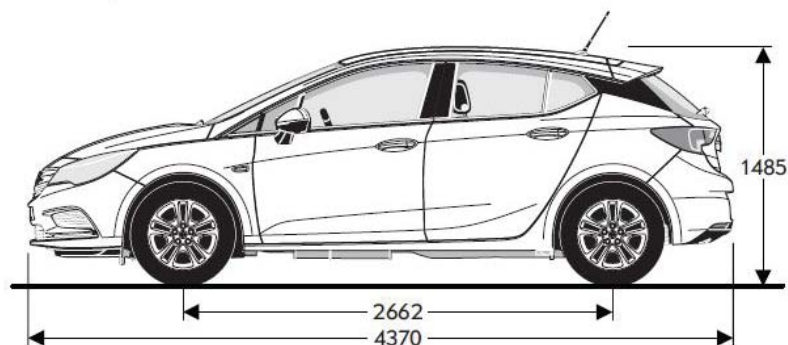


## TECHNICKÉ ÚDAJE – ASTRA HATCHBACK

|                                       | 1.4                               | 1.0 TURBO S/S | 1.4 TURBO   | 1.4 TURBO S/S | 1.4 TURBO | 1.4 TURBO S/S | 1.6 TURBO S/S | 1.6 CDTI    | 1.6 CDTI  | 1.6 CDTI S/S | 1.6 CDTI S/S ecoFLEX | 1.6 CDTI S/S | 1.6 CDTI  | 1.6 CDTI S/S BiTurbo |           |
|---------------------------------------|-----------------------------------|---------------|-------------|---------------|-----------|---------------|---------------|-------------|-----------|--------------|----------------------|--------------|-----------|----------------------|-----------|
| Motor                                 | Zdvihový objem (cm <sup>3</sup> ) | 1399          | 999         | 1399          | 1399      | 1399          | 1399          | 1598        | 1598      | 1598         | 1598                 | 1598         | 1598      | 1598                 |           |
|                                       | Počet valcov                      | 4             | 3           | 4             | 4         | 4             | 4             | 4           | 4         | 4            | 4                    | 4            | 4         | 4                    |           |
|                                       | Palivo                            | Benzín        | Benzín      | Benzín        | Benzín    | Benzín        | Benzín        | Benzín      | Nafta     | Nafta        | Nafta                | Nafta        | Nafta     | Nafta                | Nafta     |
|                                       | Emisná norma                      | EURO 6        | EURO 6      | EURO 6        | EURO 6    | EURO 6        | EURO 6        | EURO 6      | EURO 6    | EURO 6       | EURO 6               | EURO 6       | EURO 6    | EURO 6               | EURO 6    |
| Prevodovka                            | Typ                               | Man.          | Man. / MTA  | Man.          | Man.      | Man.          | Man. / Aut.   | Man. / Aut. | Man.      | Man.         | Man.                 | Man.         | Man.      | Aut.                 | Man.      |
|                                       | Počet prevodových stupňov         | 5             | 5           | 6             | 6         | 6             | 6             | 6           | 6         | 6            | 6                    | 6            | 6         | 6                    | 6         |
| Jazdná dynamika                       | Max. výkon (kW/k)                 | 74 / 100      | 77 / 105    | 92 / 125      | 92 / 125  | 110 / 150     | 110 / 150     | 147 / 200   | 70 / 95   | 81 / 110     | 81 / 110             | 81 / 110     | 100 / 136 | 100 / 136            | 118 / 160 |
|                                       | Max výkon pri ot./min.            | 6000          | 4500-6000   | 4000-5600     | 4000-5600 | 5000-5600     | 5000-5600     | 5500        | 3500      | 3500         | 3500                 | 3500         | 3500-4000 | 3500-4000            | 4000      |
|                                       | Max. krútiaci moment (Nm)         | 130           | 170         | 245           | 230       | 245           | 230 / 245     | 280         | 280       | 300          | 300                  | 300          | 320       | 320                  | 350       |
|                                       | Max. krútiaci moment pri ot./min. | 4300          | 1800-4300   | 2000-3500     | 2000-3500 | 2000-4000     | 2000-4000     | 1650-5000   | 1500-1750 | 1750-2000    | 1750-2000            | 1750-2000    | 2000-2250 | 2000-2250            | 1500-2250 |
|                                       | Zrýchlenie 0–100 km/h (s)         | 13,4          | 11,2 / 12,7 | 9,2           | 9,5       | 8,3           | 8,5 / 8,9     | 7,0 / 7,2   | 12,7      | 11,0         | 11,0                 | 10,9         | 9,6       | 9,7                  | 8,6       |
|                                       | Pružné zrýchlenie 80–120 km/h (s) | 21,0          | 14,9 / –    | 10,0          | 11,9      | 9,4           | 11,2 / –      | 6,9 / –     | 11,5      | 9,9          | 9,9                  | 10,2         | 8,2       | –                    | 7,5       |
|                                       | Max. rýchlosť (km/h)              | 185           | 195 / 200   | 205           | 205       | 215           | 215 / 210     | 235 / 235   | 185       | 195          | 195                  | 200          | 205       | 200                  | 220       |
| Spotreba (l/100 km) podľa 1999/100/EU | Mesto                             | 7,3           | 5,4 / 5,7   | 7,1           | 6,2       | 7,1           | 6,2 / 7,1     | 7,9 / 7,6   | 4,2       | 4,2          | 3,9                  | 3,8          | 4,4       | 5,5                  | 5,0       |
|                                       | Mimo mesta                        | 4,2           | 3,9 / 3,7   | 4,4           | 4,2       | 4,4           | 4,2 / 4,4     | 4,9 / 5,0   | 3,3       | 3,3          | 3,1                  | 3,1          | 3,4       | 3,7                  | 3,4       |
|                                       | Kombinovaná                       | 5,4           | 4,4 / 4,4   | 5,4           | 4,9       | 5,4           | 4,9 / 5,4     | 6,0 / 6,0   | 3,6       | 3,6          | 3,4                  | 3,3          | 3,8       | 4,4                  | 4,0       |
|                                       | Emisie CO <sub>2</sub> (g/km)     | 124           | 102 / 102   | 124           | 114       | 124           | 114 / 124     | 138 / 138   | 95        | 95           | 90                   | 88           | 99        | 115                  | 106       |
| Hmotnosti (kg)                        | Pohotovostná hmotnosť             | 1169          | 1198 / 1198 | 1203          | 1203      | 1203          | 1203 / 1233   | 1275 / 1303 | 1270      | 1285         | 1285                 | 1270         | 1285      | 1289                 | 1331      |
|                                       | Užitočná hmotnosť                 | 516           | 507 / 517   | 542           | 537       | 542           | 537 / 537     | 540 / 522   | 515       | 505          | 510                  | 505          | 515       | 536                  | 504       |
|                                       | Celková hmotnosť                  | 1760          | 1780 / 1790 | 1820          | 1815      | 1820          | 1815 / 1845   | 1890 / 1900 | 1860      | 1865         | 1870                 | 1850         | 1875      | 1900                 | 1910      |
|                                       | Brzdený príves max.               | 900           | 1220 / 1230 | 1550          | 1450      | 1550          | 1450 / 1420   | 1700        | 1500      | 1500         | 1500                 | 1400         | 1650      | 1700                 | 1700      |
|                                       | Nebrzdený príves max.             | 600           | 610         | 620           | 620       | 620           | 620           | 650         | 650       | 650          | 650                  | 650          | 650       | 650                  | 680       |
|                                       | Zaťaženie strechy max.            | 75            | 75          | 75            | 75        | 75            | 75            | 75          | 75        | 75           | 75                   | 75           | 75        | 75                   | 75        |
| Objem batožinového priestoru GCIE (l) | Základný                          | 370           | 370         | 370           | 370       | 370           | 370           | 370         | 370       | 370          | 370                  | 370          | 370       | 370                  | 370       |
|                                       | Maximálny                         | 1210          | 1210        | 1210          | 1210      | 1210          | 1210          | 1210        | 1210      | 1210         | 1210                 | 1210         | 1210      | 1210                 | 1210      |
| Objem nádrže (l)                      |                                   | 48            | 48          | 48            | 48        | 48            | 48            | 48          | 48        | 48           | 48                   | 48           | 48        | 48                   | 48        |
| Svetlá výška (mm)                     | Pri maximálnom zaťažení           | 91            | 91          | 91            | 91        | 91            | 91            | 91          | 91        | 91           | 91                   | 91           | 91        | 91                   | 91        |



# TECHNICKÉ ÚDAJE – ASTRA SPORTS TOURER

|                                       |                                   | 1.4    | 1.0 TURBO S/S | 1.4 TURBO | 1.4 TURBO S/S | 1.4 TURBO | 1.4 TURBO S/S | 1.6 TURBO S/S | 1.6 CDTI  | 1.6 CDTI  | 1.6 CDTI S/S | 1.6 CDTI S/S ecoFLEX | 1.6 CDTI S/S | 1.6 CDTI  | 1.6 CDTI S/S BiTurbo |
|---------------------------------------|-----------------------------------|--------|---------------|-----------|---------------|-----------|---------------|---------------|-----------|-----------|--------------|----------------------|--------------|-----------|----------------------|
| Motor                                 | Zdvihový objem (cm <sup>3</sup> ) | 1399   | 999           | 1399      | 1399          | 1399      | 1399          | 1598          | 1598      | 1598      | 1598         | 1598                 | 1598         | 1598      | 1598                 |
|                                       | Počet valcov                      | 4      | 3             | 4         | 4             | 4         | 4             | 4             | 4         | 4         | 4            | 4                    | 4            | 4         | 4                    |
|                                       | Palivo                            | Benzín | Benzín        | Benzín    | Benzín        | Benzín    | Benzín        | Benzín        | Nafta     | Nafta     | Nafta        | Nafta                | Nafta        | Nafta     | Nafta                |
|                                       | Emisná norma                      | EURO 6 | EURO 6        | EURO 6    | EURO 6        | EURO 6    | EURO 6        | EURO 6        | EURO 6    | EURO 6    | EURO 6       | EURO 6               | EURO 6       | EURO 6    | EURO 6               |
| Prevodovka                            | Typ                               | Man.   | Man. / MTA    | Man.      | Man.          | Man.      | Man. / Aut.   | Man. / Aut.   | Man.      | Man.      | Man.         | Man.                 | Man.         | Aut.      | Man.                 |
|                                       | Počet prevodových stupňov         | 5      | 5             | 6         | 6             | 6         | 6             | 6             | 6         | 6         | 6            | 6                    | 6            | 6         | 6                    |
| Jazdná dynamika                       | Max. výkon (kW/k)                 | 74/100 | 77/105        | 92/125    | 92/125        | 110/150   | 110/150       | 147/200       | 70/95     | 81/110    | 81/110       | 81/110               | 100/136      | 100/136   | 118/160              |
|                                       | Max výkon pri ot./min.            | 6000   | 4500-6000     | 4000-5600 | 4000-5600     | 5000-5600 | 5000-5600     | 5500          | 3500      | 3500      | 3500         | 3500                 | 3500-4000    | 3500-4000 | 4000                 |
|                                       | Max. krútiaci moment (Nm)         | 130    | 170           | 245       | 230           | 245       | 230/245       | 280           | 280       | 300       | 300          | 300                  | 320          | 320       | 350                  |
|                                       | Max. krútiaci moment pri ot./min. | 4300   | 1800-4300     | 2000-3500 | 2000-3500     | 2000-4000 | 2000-4000     | 1650-5000     | 1500-1750 | 1750-2000 | 1750-2000    | 1750-2000            | 2000-2250    | 2000-2250 | 1500-2250            |
|                                       | Zrýchlenie 0–100 km/h (s)         | 13,9   | 11,7/12,9     | 9,6       | 9,9           | 8,7       | 8,9/9,4       | 7,7/7,9       | 12,9      | 11,4      | 11,4         | 11,3                 | 10,1         | 10,1      | 8,9                  |
|                                       | Pružné zrýchlenie 80–120 km/h (s) | 21,5   | 15,5/-        | 10,6      | 12,5          | 9,9       | 11,8/-        | 7,2/-         | 12,0      | 10,2      | 10,2         | 10,7                 | 8,7          | -         | 8,1                  |
|                                       | Max. rýchlosť (km/h)              | 185    | 195/200       | 205       | 205           | 215       | 215/210       | 235/235       | 185       | 195       | 195          | 195                  | 205          | 200       | 220                  |
| Spotreba (l/100 km) podľa 1999/100/EU | Mesto                             | 7,5    | 5,4/5,7       | 7,2       | 6,2           | 7,2       | 6,2/7,1       | 8,0/7,8       | 4,2       | 4,2       | 4,0          | 3,8                  | 4,5          | 5,7       | 5,0                  |
|                                       | Mimo mesta                        | 4,3    | 3,9/3,7       | 4,5       | 4,2           | 4,5       | 4,2/4,4       | 4,9/5,0       | 3,3       | 3,3       | 3,2          | 3,1                  | 3,4          | 3,8       | 3,4                  |
|                                       | Kombinovaná                       | 5,5    | 4,5/4,5       | 5,5       | 4,9           | 5,5       | 4,9/5,4       | 6,0/6,0       | 3,6       | 3,6       | 3,5          | 3,4                  | 3,8          | 4,5       | 4,0                  |
|                                       | Emisie CO <sub>2</sub> (g/km)     | 127    | 103/103       | 127       | 114           | 127       | 114/125       | 139/139       | 96        | 96        | 92           | 89                   | 101          | 119       | 106                  |
| Hmotnosti (kg)                        | Pohotovostná hmotnosť             | 1198   | 1213/1213     | 1247      | 1247          | 1247      | 1247/1275     | 1318/1350     | 1313      | 1328      | 1328         | 1328                 | 1328         | 1350      | 1360                 |
|                                       | Užitočná hmotnosť                 | 557    | 562/567       | 568       | 563           | 568       | 563/565       | 567/555       | 537       | 527       | 527          | 527                  | 547          | 550       | 550                  |
|                                       | Celková hmotnosť                  | 1830   | 1850/1855     | 1890      | 1885          | 1890      | 1885/1915     | 1960/1980     | 1925      | 1930      | 1930         | 1930                 | 1950         | 1975      | 1985                 |
|                                       | Brzdený prívies max.              | 800    | 1150          | 1500      | 1403          | 1500      | 1403/1420     | 1650/1700     | 1500      | 1500      | 1500         | 1400                 | 1500         | 1500      | 1700                 |
|                                       | Nebrzdený prívies max.            | 610    | 620           | 640       | 640           | 640       | 640           | 680           | 670       | 680       | 680          | 670                  | 680          | 680       | 700                  |
| Objem batožinového priestoru GCIE (l) | Základný                          | 540    | 540           | 540       | 540           | 540       | 540           | 540           | 540       | 540       | 540          | 540                  | 540          | 540       | 540                  |
|                                       | Maximálny                         | 1630   | 1630          | 1630      | 1630          | 1630      | 1630          | 1630          | 1630      | 1630      | 1630         | 1630                 | 1630         | 1630      | 1630                 |
| Objem nádrže (l)                      |                                   | 48     | 48            | 48        | 48            | 48        | 48            | 48            | 48        | 48        | 48           | 48                   | 48           | 48        | 48                   |
| Svetlá výška (mm)                     | Pri maximálnom zaťažení           | 91     | 91            | 91        | 91            | 91        | 91            | 91            | 91        | 91        | 91           | 91                   | 91           | 91        | 91                   |

